



## INSTANTANEOUS AND FUNCTION RELAYS

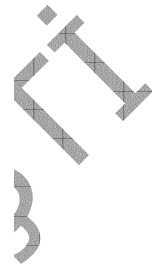
Timer relays 2 contacts / 1732



**TEC**

**1732**

- ▶ rear wiring socket with clips 9723
- ▶ front wiring socket / screw terminals 9705

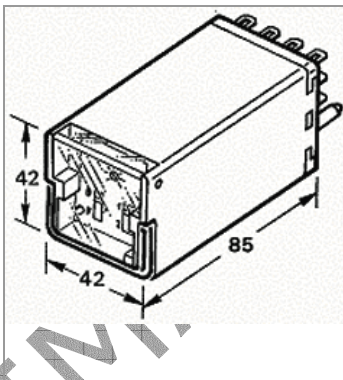


### DESCRIPTION

**Multifunction & multirange timer relay - 2 timed contacts - 5 A.**

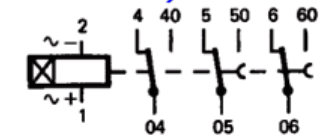
Pluggable on front wiring socket (9705) or rear wiring socket (9723)

### Dimensions

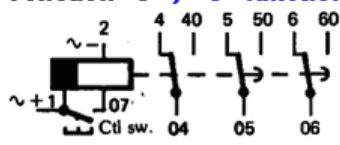


### Connection

#### Fonction "F" / "F" function



#### Fonction "O" / "O" function



### OPERATION PRINCIPLE

Timing function selector on front face ("F" on closing - "O" on opening)

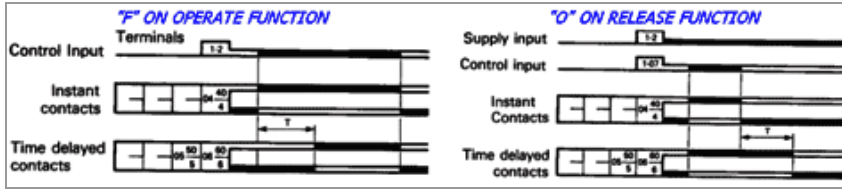
Timing range selector on front face (0,6 - 6", 6 - 60", 60 - 600").

Visualisation of the output state by LED.

Protection of the selections by front closable cover.

**See the operation scheme here after.**

## PLAN



## TECHNICAL FEATURES

Function	timer multifunction/multirange
Presentation	under cover
Connection	on front or rear wiring socket
Number of mechanical operations	30.000.000
Operating temperature	- 25 to + 55°C
Storage temperature	- 40°C to + 80°C
Climatic protection	reinforced climatic protection
Shock voltage	50 g - 11 ms
Dielectric strength	2.500 V - 50 Hz
Insulation resistance	1.000 MOhms (500 VDC new relay)
Weight	130 g.

## COIL DATA

	Direct current	Alternative current
Min. nominal voltage DC	12 V	220 V
Min. nominal voltage AC	127 V	220 V
Operating range	-20/+10% of nominal voltage	
Power requirement	max. 4 VA	

## CONTACTS

Number of contacts	2
Contacts material	silver alloy with gold flash
Max. load current	5 A per contact
Low power switching	0,1 VA with min. voltage 5 V or I min 10 mA
Short-circuit load	100 A - 30 ms
Response time	DC : 20 ms - AC : 20 ms
Bounce time	100 ms

**İmaj Teknik Elektrik Elektronik San. ve Tic. Ltd. Şti.**

EMEYEMEZ MAH.TUTSAK SOK. NO: 16/13-14-15  
KARAKOY/İSTANBUL  
TURKEY

Telefon : +90 212 235 9535 / 36      www.imajteknik.com  
Fax : +90 212 235 9537              www.imajteknik.com.tr